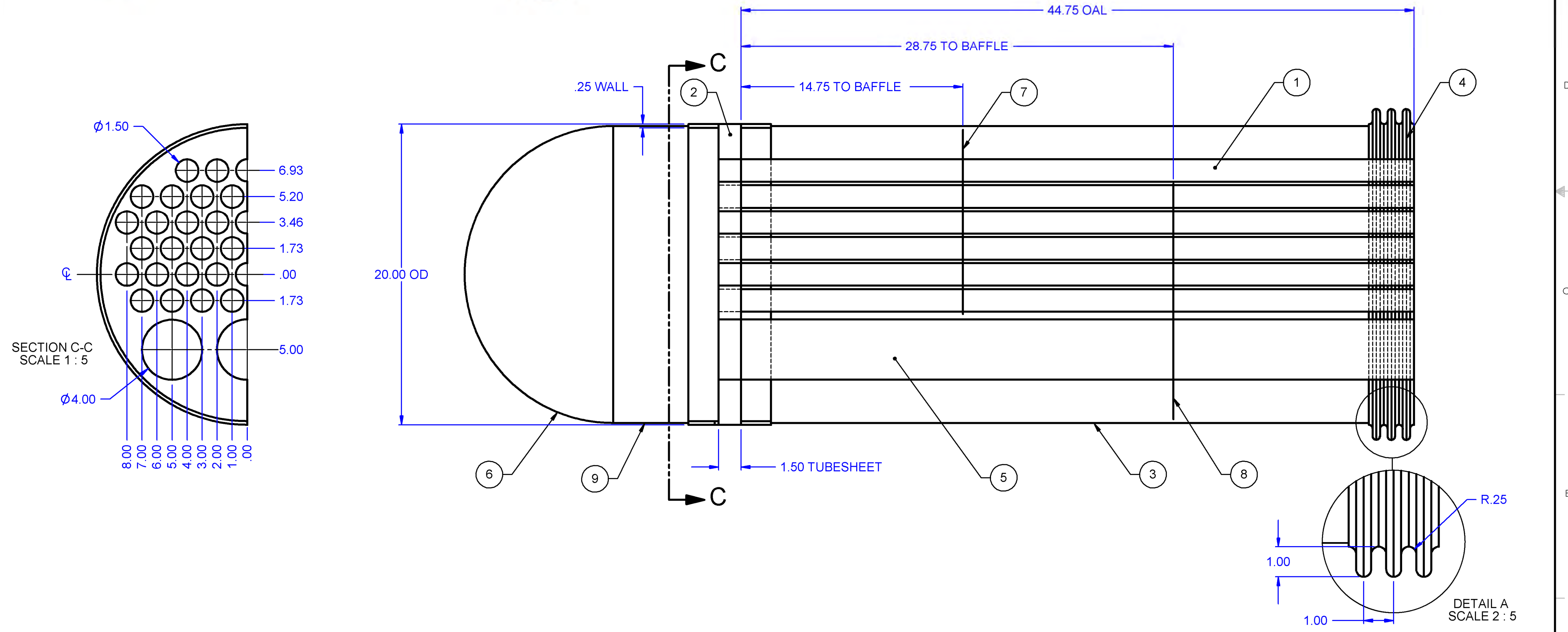
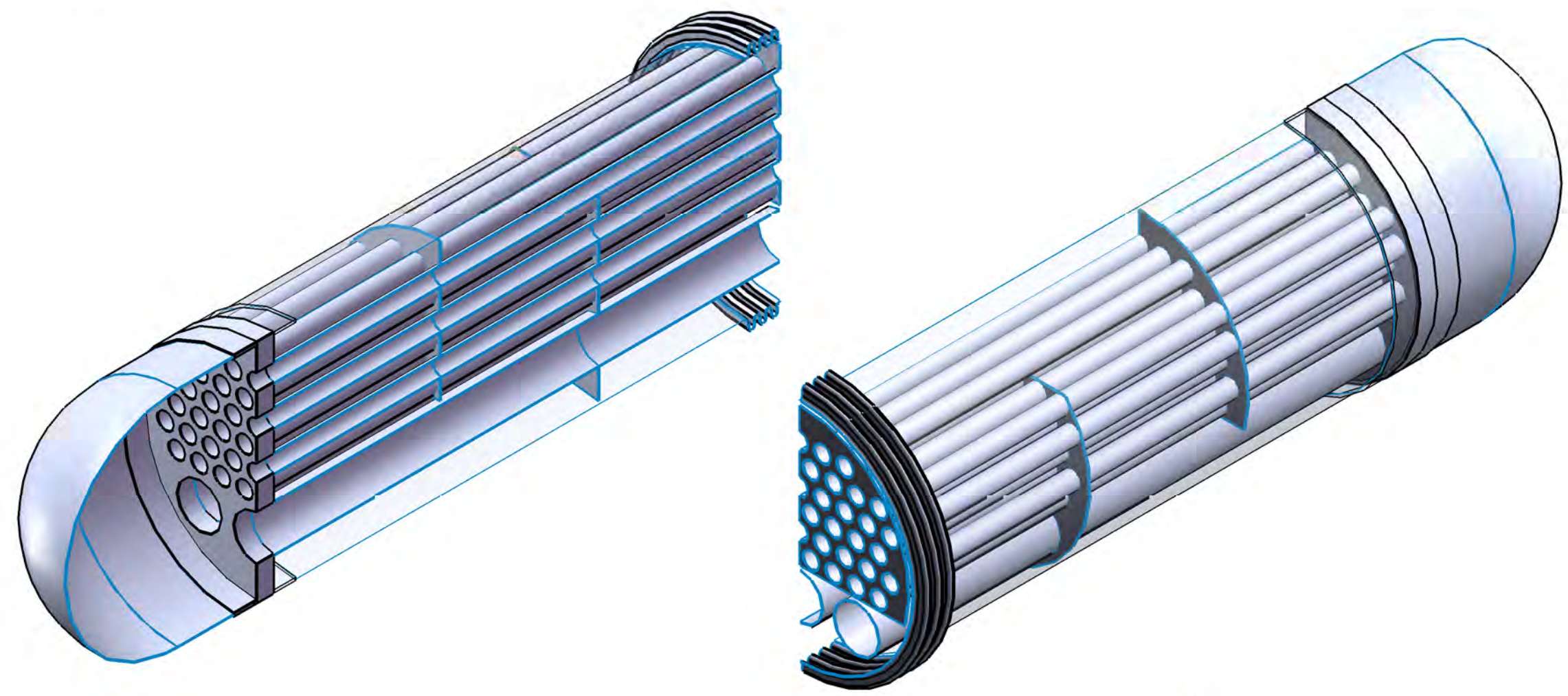


BOM Table				
Item NO.	Part Number	Description	Qty.	Material
1	Small Tubes	Small Tubes 1.5"OD x 0.109" Thk	1	SA-213 TP304
2	Tubesheet	Tubesheet 20" OD x 1.5" Thk	1	SA-240 304
3	Shell	Shell 20" OD x 0.24" Thk	1	SA-240 304
4	Bellows	Bellows 22" OD x 0.09" Thk	1	SA-240 304
5	Large Tubes	Large Tubes 4" OD x 0.120" Thk	1	SA-213 TP304
6	Head	Hemi Head 20" OD x 0.25" Thk	-	SA-240 304
7	Baffle 1	Baffle 1 0.125" Thk	-	SA-240 304
8	Baffle 2	Baffle 2 0.125" Thk	-	SA-240 304
9	Channel	Channel 20" OD x 0.25" Thk	-	SA-240 304



REV	DESCRIPTION	DATE	APVD
REVISIONS			
<p>PVEng Pressure Vessel Engineering 120 Randal Drive, Suite B Waterloo, Ontario N2Y 7C5 P: 519-863-8888 F: 519-863-9810 http://www.pveeng.com info@pveeng.com</p>			
<p>HEAT EXCHANGER</p>		<p>PROJECT: PVE-3520</p>	
<p>CUSTOMER: XYZ Vessel Corp.</p>		<p>DATE: June 4, 2009</p>	
<p>DRAWN BY: C. Moore</p>		<p>SCALE: 1:8</p>	
<p>CHECKED BY:</p>		<p>DATE:</p>	
<p>APPROVED:</p>		<p>DATE:</p>	
<p>WEIGHT - lbs</p>		<p>SHEET 1 OF 1</p>	

UNLESS OTHERWISE SPECIFIED
 DIMENSIONS ARE IN INCHES
 INTERPRET DIMENSIONS AND TOLERANCES PER ASME Y 14.5M 1994

TOLERANCES APPLY AS SHOWN BELOW
 0/1 DEC ±0.2
 1/16 DEC ±0.1
 3/16 DEC ±0.05
 ANGLES ±1°
 SURFACE FINISHES ±0.005

THIRD ANGLE PROJECTION

MATERIAL: SEE BOM

SolidWorks MAINTAINED DATA
 CHANGES SHALL BE INCORPORATED
 ELECTRONICALLY BY THE DESIGN ACTIVITY

PROPRIETARY
 NO PART OF THIS DOCUMENT MAY BE REPRODUCED,
 STORED IN A RETRIEVAL SYSTEM, OR TRANSMITTED IN
 ANY FORM, WITHOUT THE WRITTEN PERMISSION OF

REV: **C**

SCALE: 1:8

WEIGHT - lbs

SHEET 1 OF 1