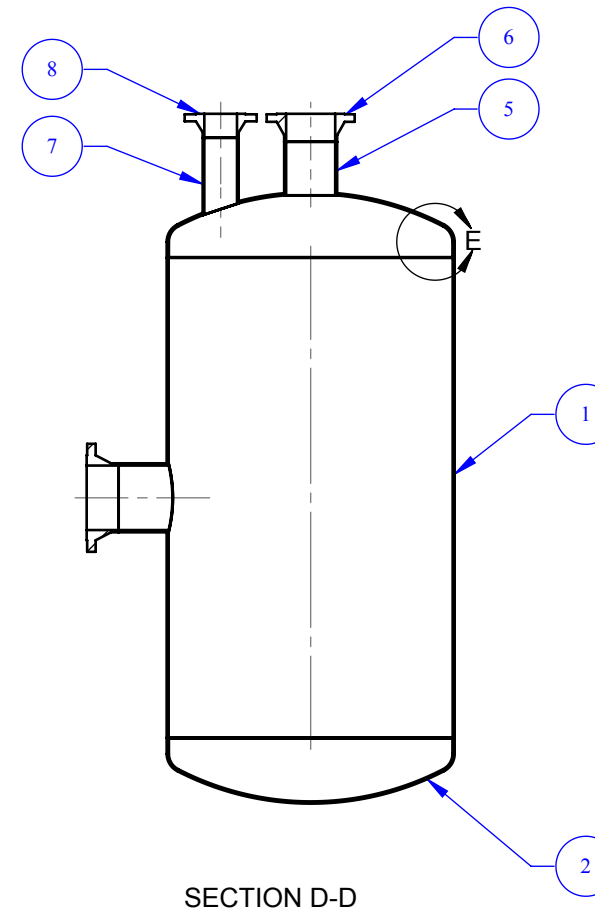
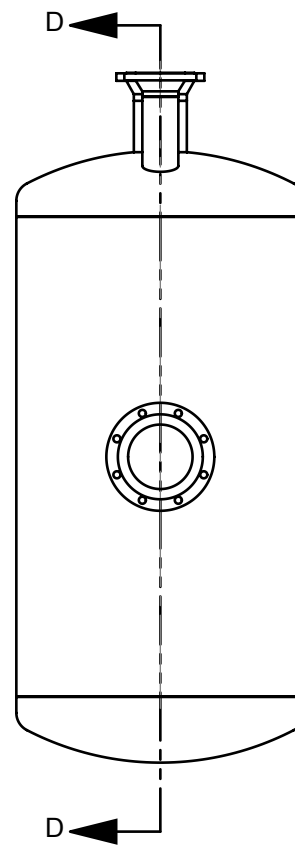
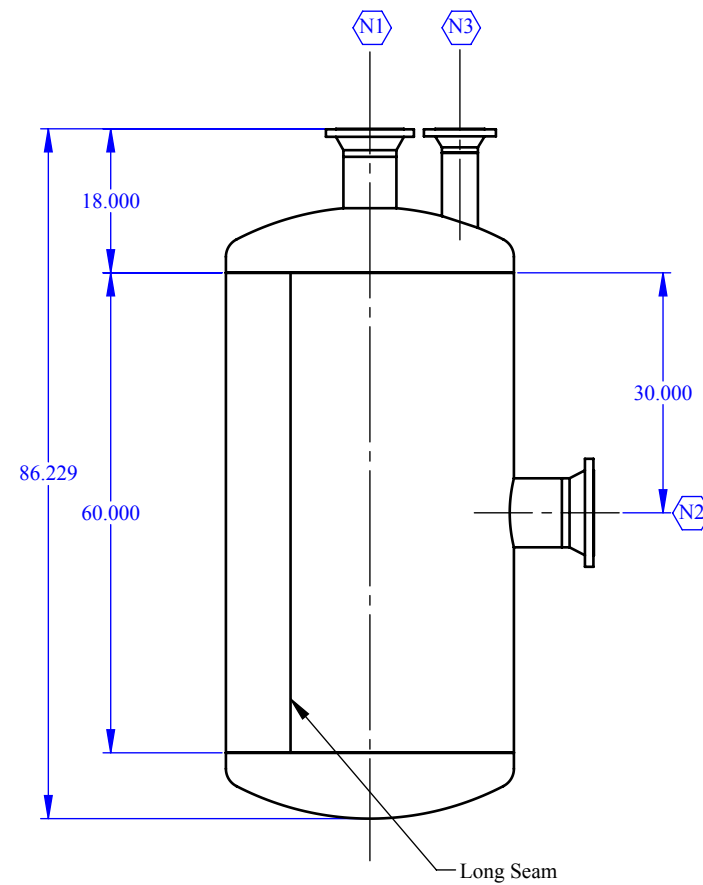


DETAIL E
SCALE 1 : 4



SECTION D-D

BILL OF MATERIALS

ITEM	QTY	DESCRIPTION	MATERIAL
1	1	Shell: 36" OD x 0.25" thick	SA-516 70
2	2	F&D Head: 0.2875" thickness after forming	SA-516 70
3	1	Pipe - Sch. 40, 8.00 NPS	SA-106 B
4	1	Flange, RFWN - 150#, 8.00 NPS	SA-105
5	1	Pipe - Sch. 40, 6.00 NPS	SA-106 B
6	1	Flange, RFWN - 150#, 6.00 NPS	SA-105
7	1	Pipe - Sch. 40, 4.00 NPS	SA-106 B
8	1	Flange, RFWN - 150#, 4.00 NPS	SA-105

NOTES:

- All dimensions in inches.
- All welds shall be neat in appearance, free from slag and other defects.
- Vessel to be cleaned of scale, oil, weld spatter and all other foreign material, prior to hydrostatic test.
- Remove all sharp edges on nozzles (1/8" minimum radius)
- All nozzles to support nominal loads only.
- Maximum misalignment of butt joints is limited to .25T (Category A, B, C, D up to 1/2" thick)
- All flanges to conform to B16.5 (2009 Add.) standards.
- Flange bolt holes to straddle natural centre lines.
- Cycling pressure is 25 psi to 125 psi at a constant temperature of 200°F.

DESIGN DATA

Code	Design Code:	ASME VIII-1 2010 ed. 2011 add.
	Seismic Code:	N/A
	Wind Code:	N/A
Design Conditions	MAWP - Int / Ext:	150 / 0 psi @ 200 °F
	MDMT:	-20 °F
	Corrosion Allowance:	0 in
Examination	Impact Testing:	None as per UG-20(f)
	Radiography:	None
	PWHT:	None
Service	Hydro Test:	195 psi @ 70 °F
	Fluid:	Water
	Capacity:	81.54 cu. ft.
	Weight - Empty:	800 lb
	Weight - Operating:	3340 lb

REVISIONS

REV.	REVISION HISTORY	DATE	DRW	CHK
0	Release	05/08/12	CM	MH



XYZ Vessel Corp.
123 Basic Street
Seatown, Ontario, Canada
X1Y 2Z3



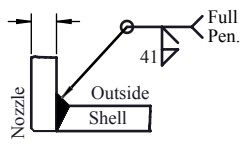
Pressure Vessel Engineering, Ltd.
120 Randall Drive, Suite B
Waterloo, Ontario, Canada
N2V 1C6

www.pveng.com
info@pveng.com
Tel. 519-880-9808
Fax 519-880-9810

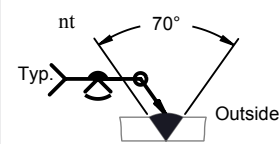
Cycle Life Sample

Size	Job ID	Drawing No.	Revision:
B	PVE-6160	PVEdwg-6160-1.0	0
Scale	Material	Sheet	
1:24	See BOM	1 OF 2	

This drawing and the information herein is confidential, and must not be reproduced or used in any way without the written permission of Pressure Vessel Engineering Ltd.



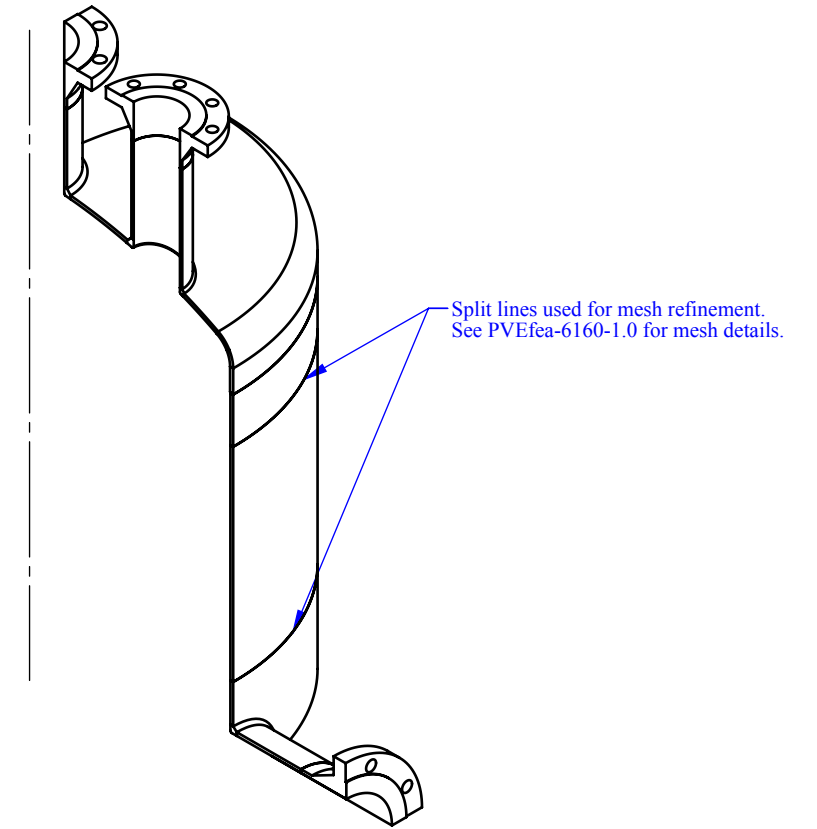
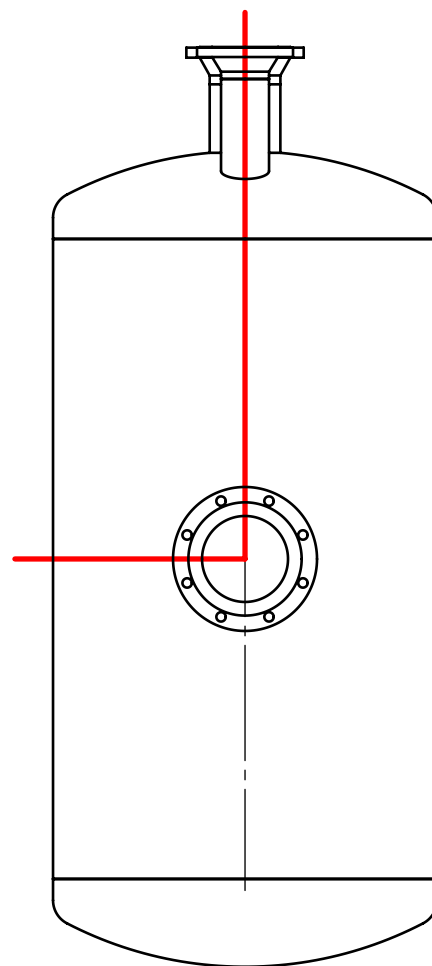
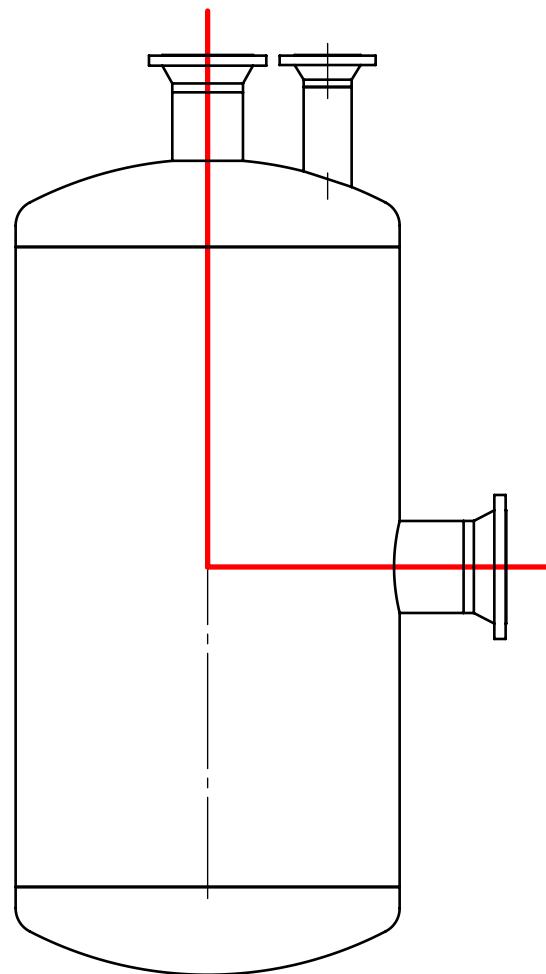
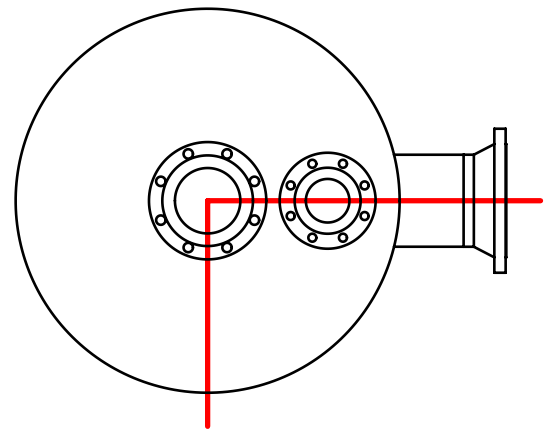
UW-16.1 (c)



Typ. Circ. & Long. Seam



NOZZLE SCHEDULE

NOZZLE				WELDS			FLANGES				BOM ITEM #	
Mark	Size	Qty.	Service	Type	41	42	43	Type	SB	F1		F2
N1	6"	1	Vent	UW-16.1 (c)	.3125	-	-	RFWN	-	-	-	5,6
N2	8"	1	Inlet	UW-16.1(c)	.25	-	-	RFWN	-	-	-	3,4
N3	4"	1	Outlet	UW-16.1(c)	.25	-	-	RFWN	-	-	-	7,8



FEA Model

— FEA Section

		XYZ Vessel Corp. 123 Basic Street Seatown, Ontario, Canada X1Y 2Z3	
		Pressure Vessel Engineering, Ltd. 120 Randall Drive, Suite B Waterloo, Ontario, Canada N2V 1C6	
		www.pveng.com info@pveng.com Tel. 519-880-9808 Fax 519-880-9810	
Cycle Life Sample			
Size	Job ID	Drawing No.	Revision:
B	PVE-6160	PVEdwg-6160-1.0	0
Scale	Material	Sheet	
1:18	See BOM	2 OF 2	
<small>This drawing and the information herein is confidential, and must not be reproduced or used in any way without the written permission of Pressure Vessel Engineering Ltd.</small>			